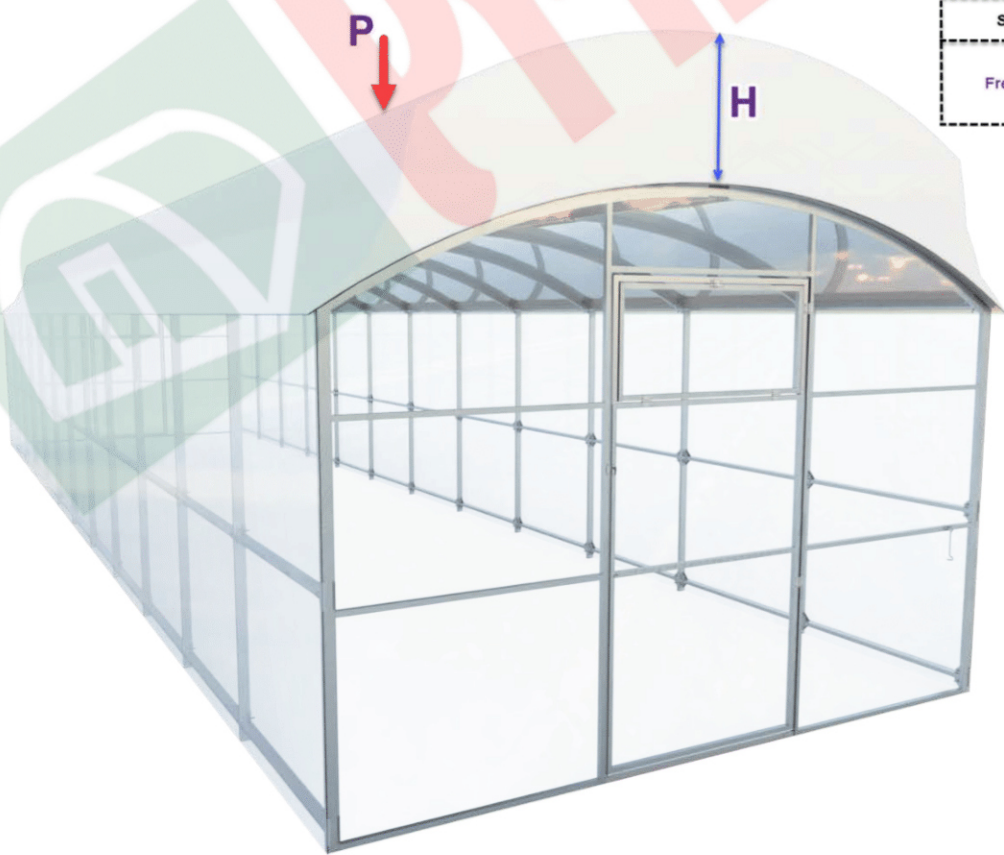
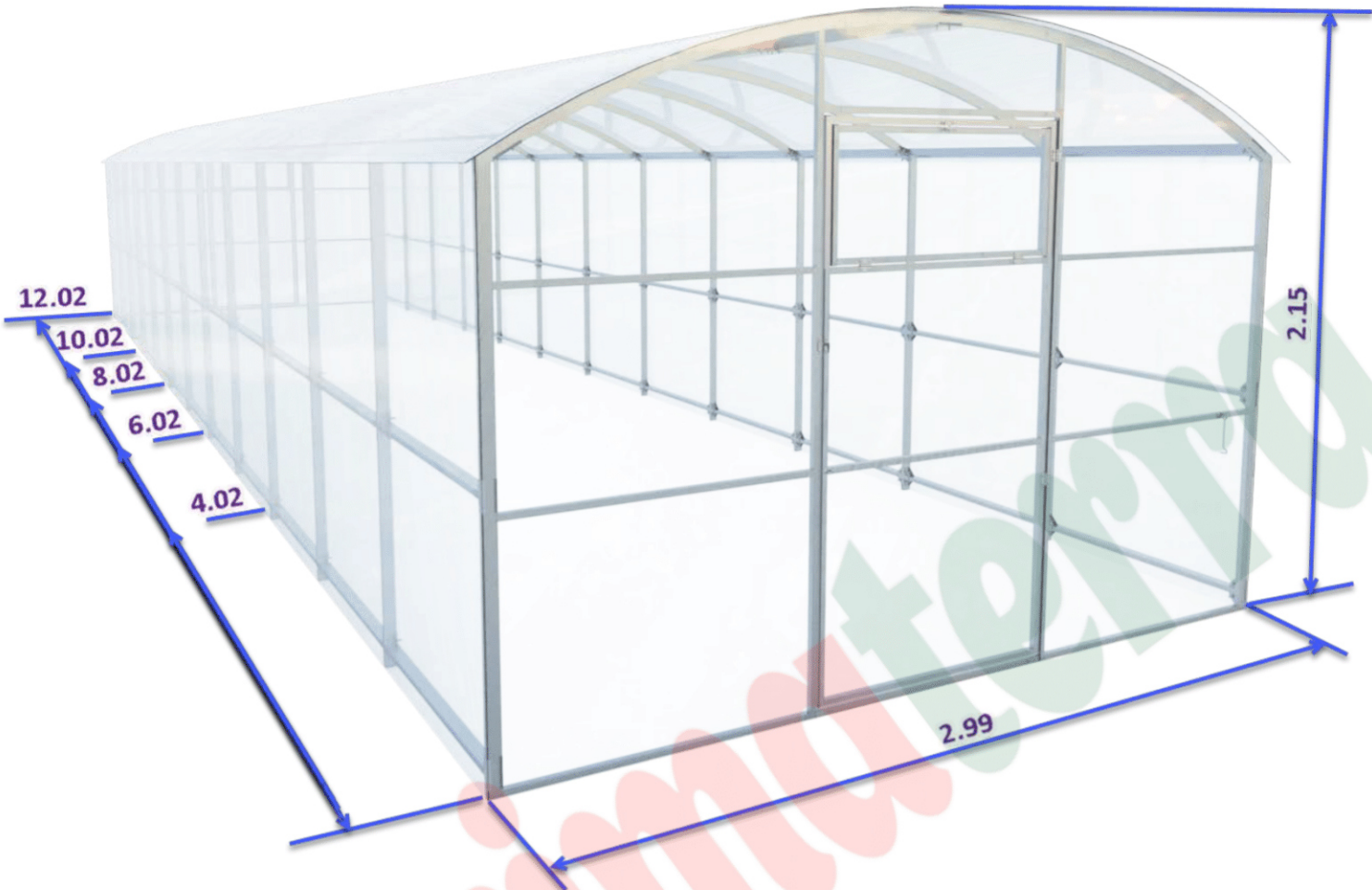


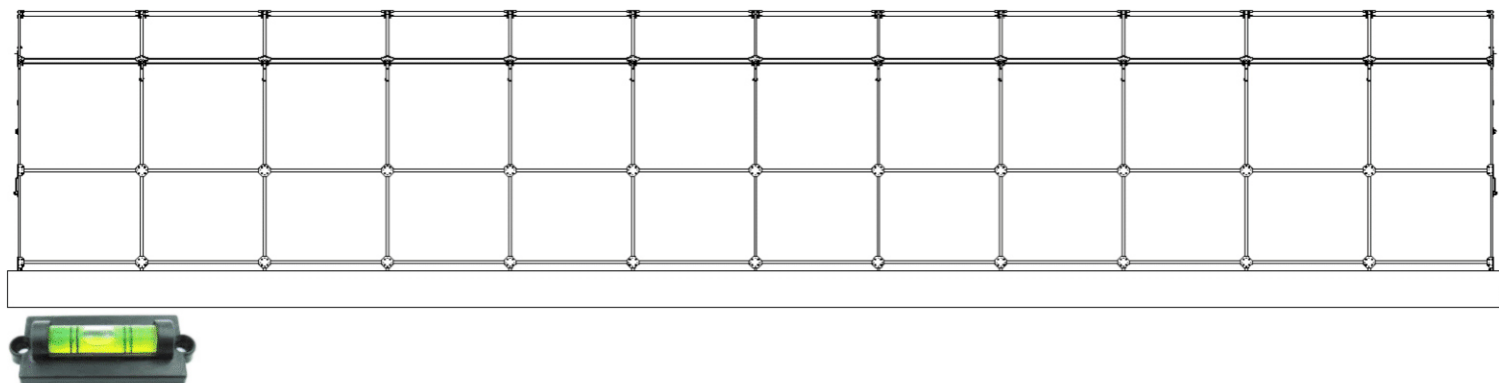
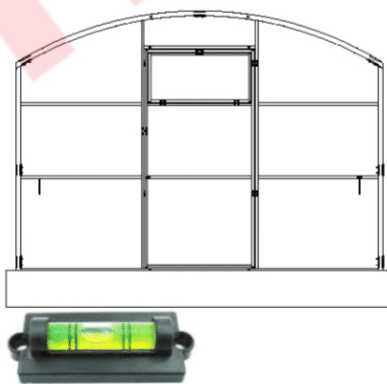
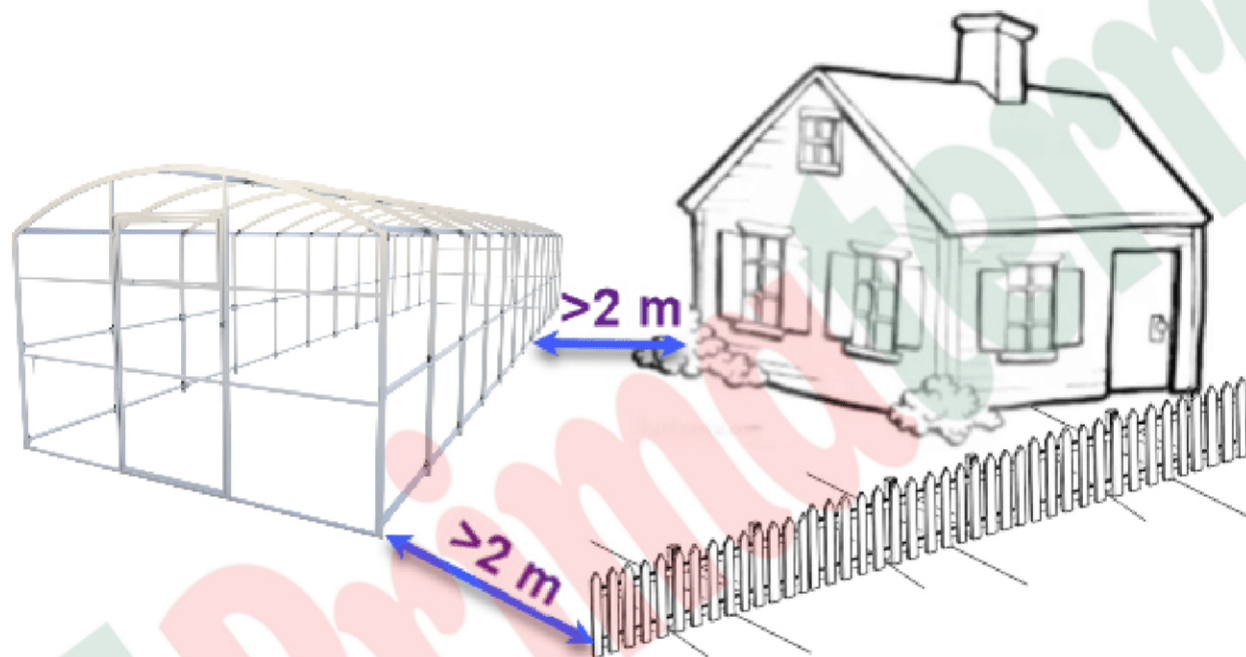
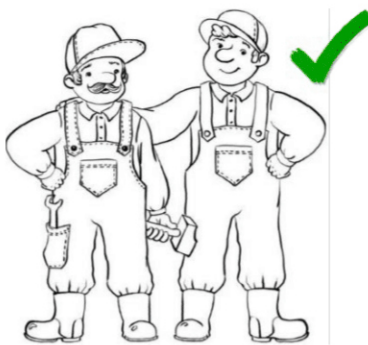


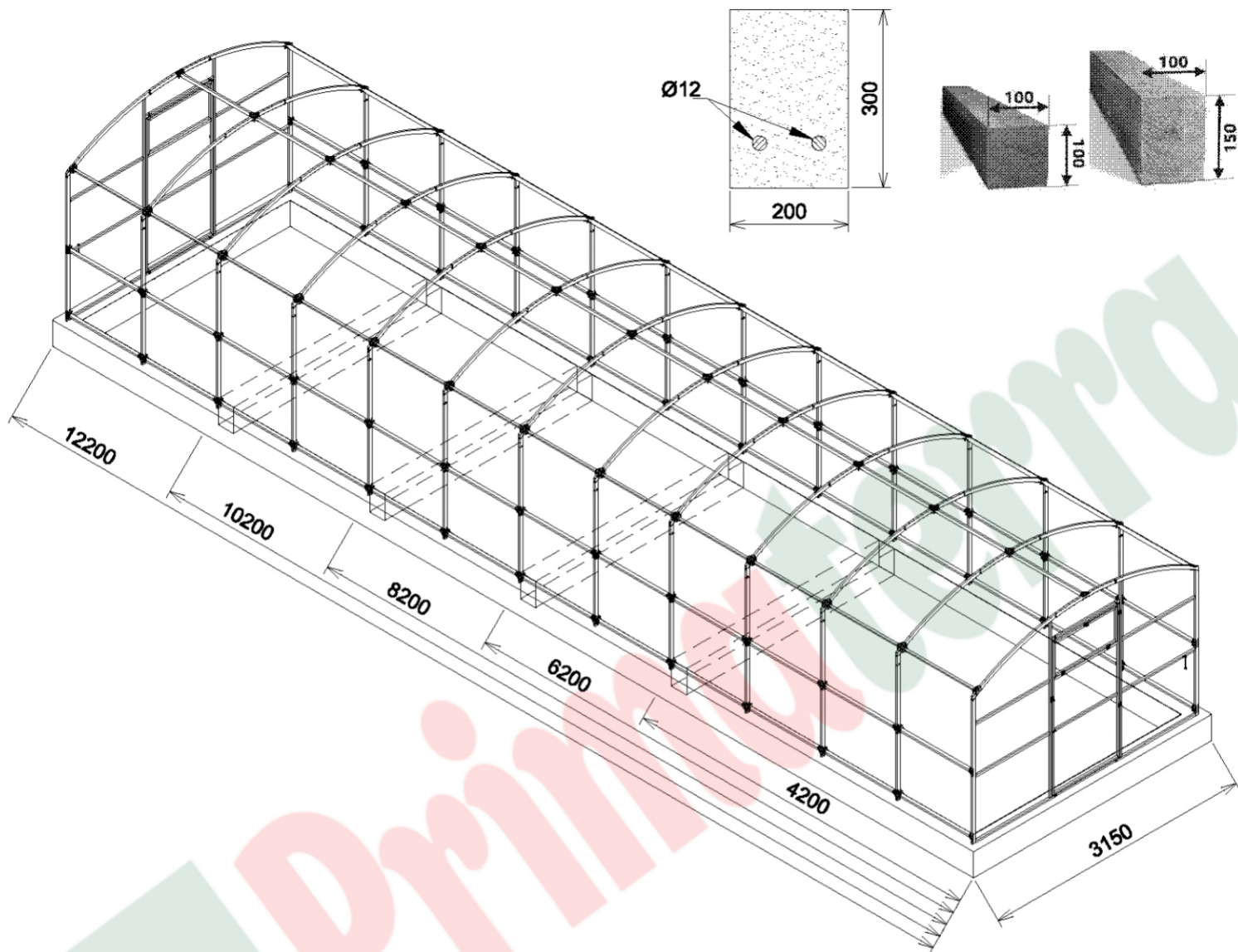
Fiorista

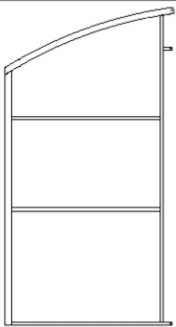

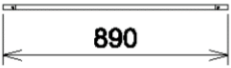

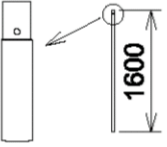

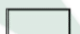
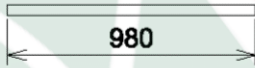







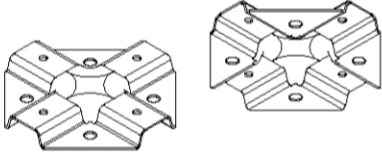
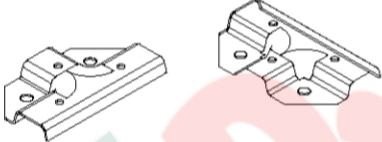




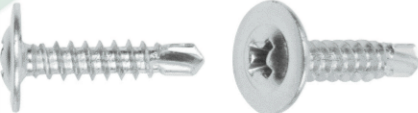

Snow	H (m)	P (kg/m ²)
Dry	1,75	180
Freshly fallen	0,75 - 1,20	180
Wet	0,25	180

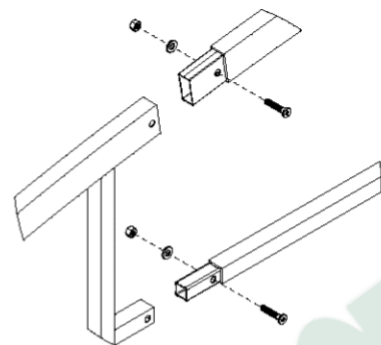
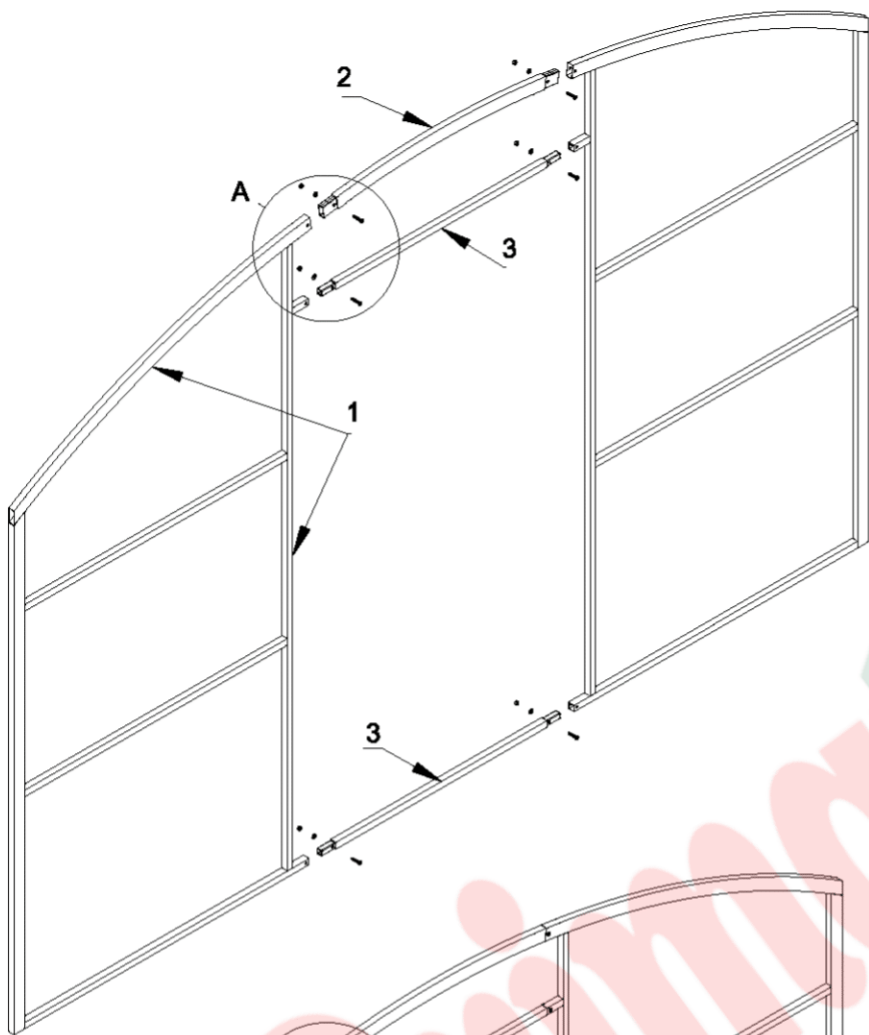




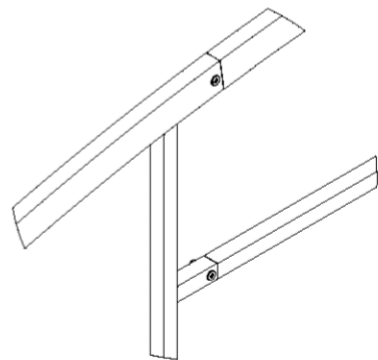
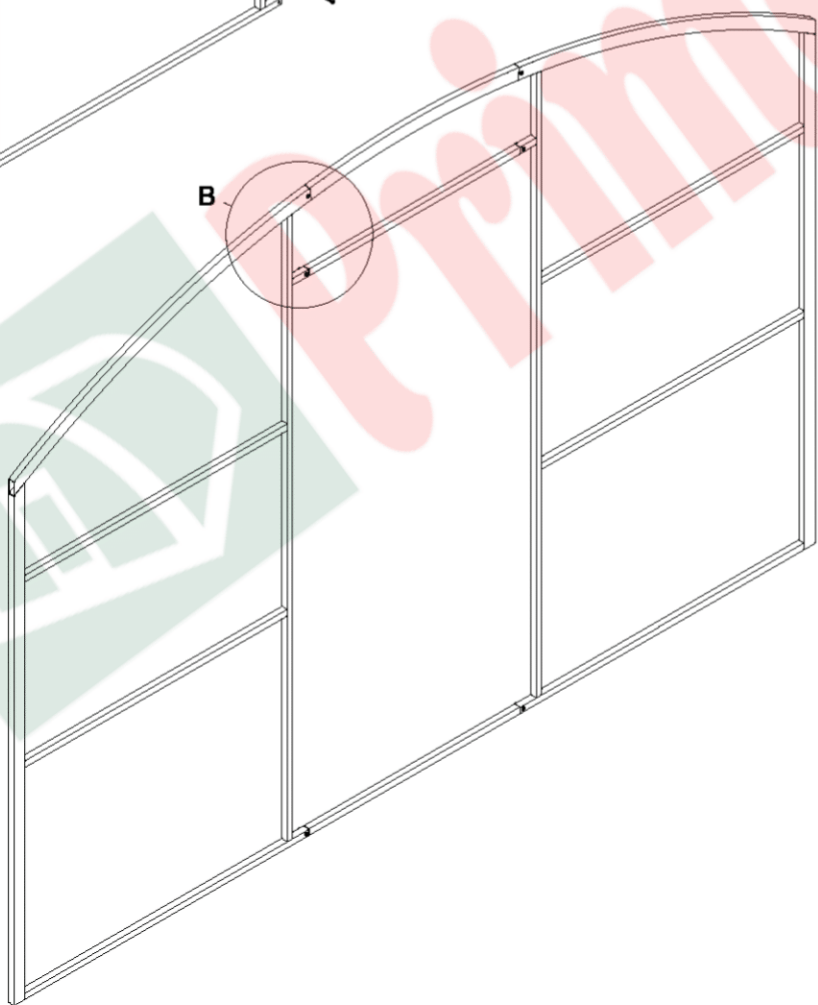


№	Part	Quantity				
		4 m (base)	6 m	8 m	10 m	12 m
1		4	4	4	4	4
2		5	7	9	11	13
3		4	4	4	4	4
4		6	10	14	18	22
5		6	10	14	18	22
6		2	2	2	2	2
7		2	2	2	2	2
8		28	42	56	70	84

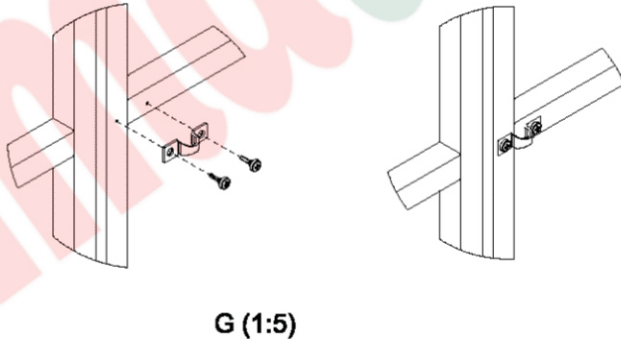
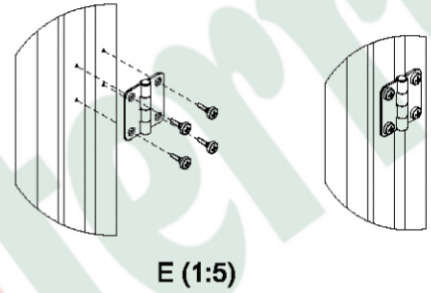
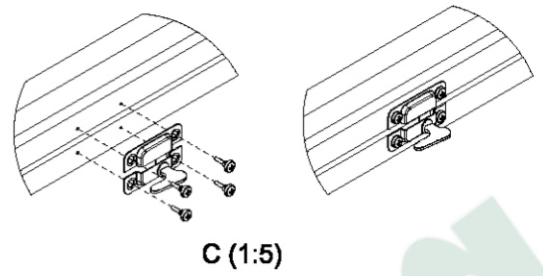
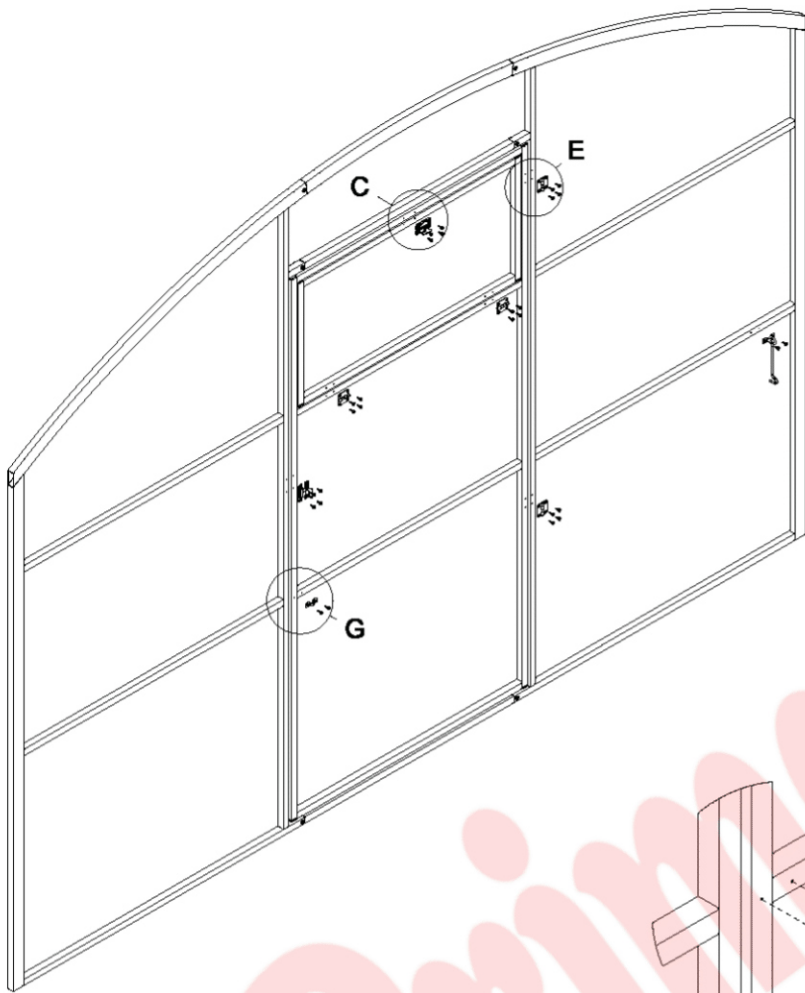
№	Part	Quantity				
		4 m (base)	6 m	8 m	10 m	12 m
11	 M6x50	18	28	38	48	58
12	 M6x30	10	10	10	10	10
13	 M6x40	116	172	228	284	340
14	 M6	144	210	276	342	408
15	 M6	144	210	276	342	408
16		42	70	98	126	154
17		28	28	28	28	28
18		16	16	16	16	16
19		8	8	8	8	8
20		4	4	4	4	4
21		2	2	2	2	2
22		220	260	300	340	380
23	 EPDM	220	260	300	340	380



A (1:8)

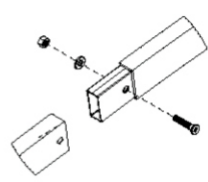
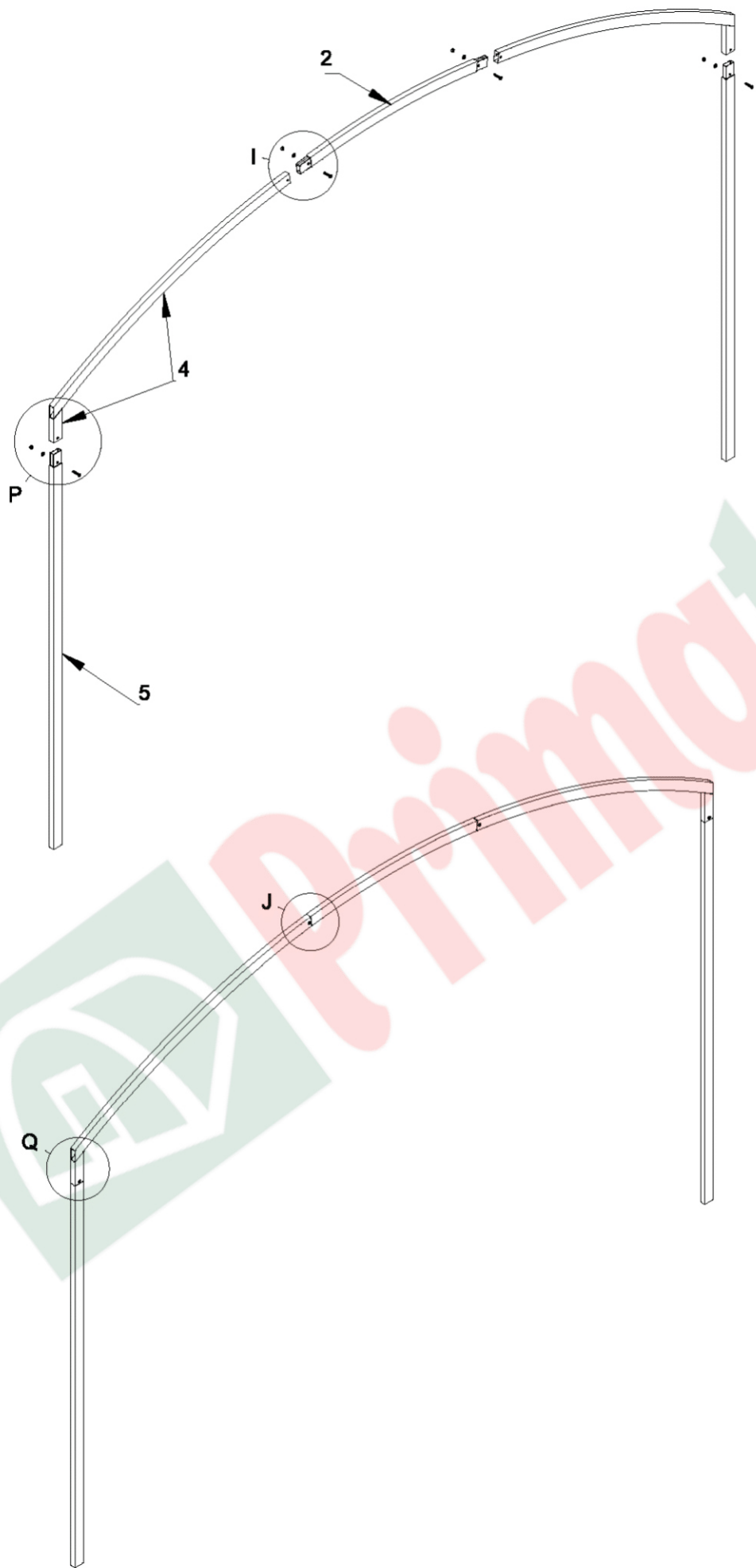


B (1:8)

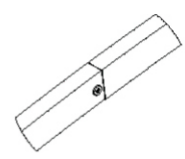


Prima

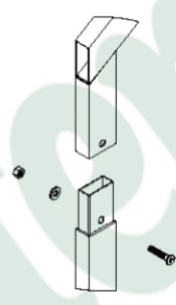




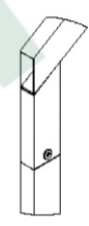
I (1:8)



J (1:8)



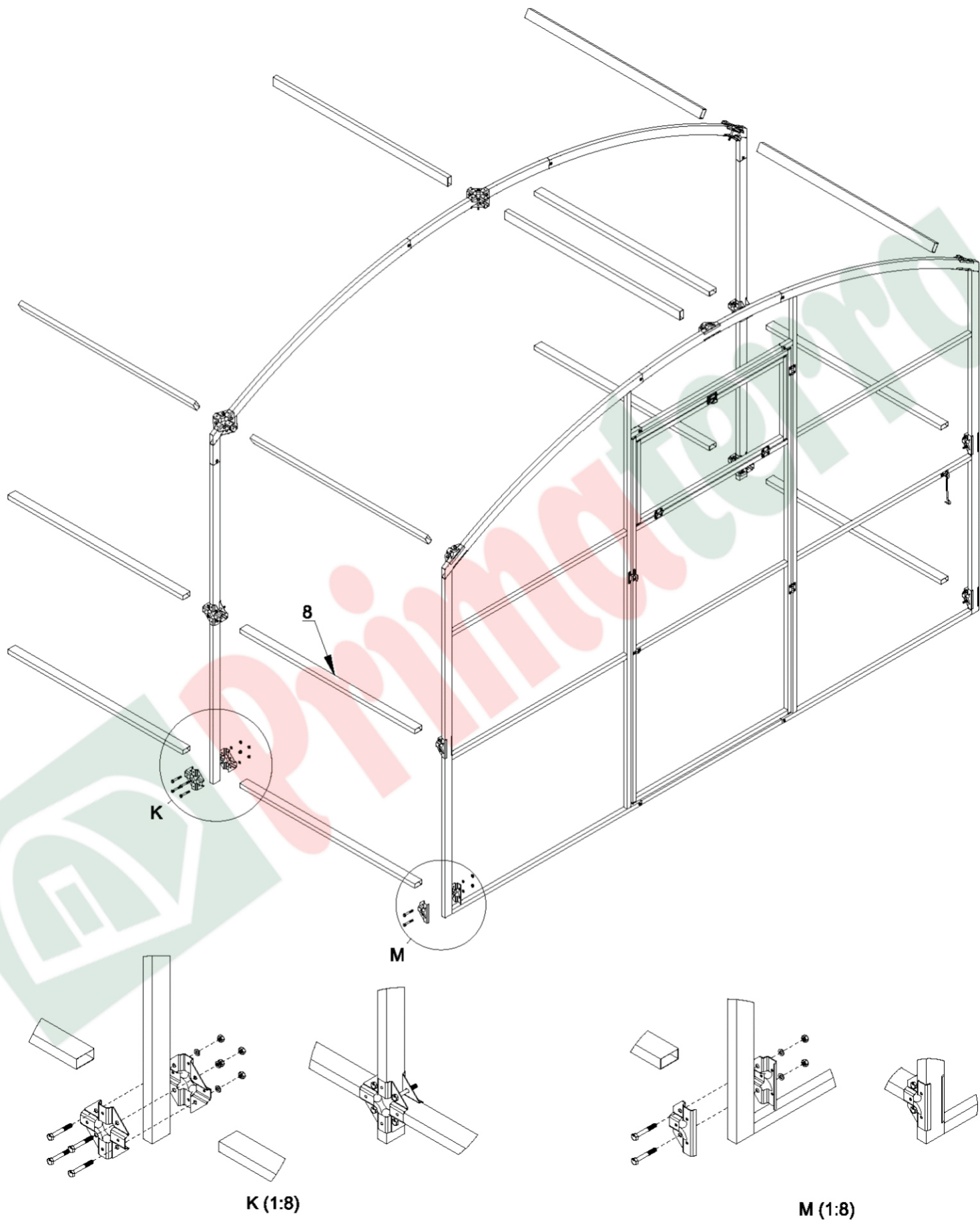
P (1:8)

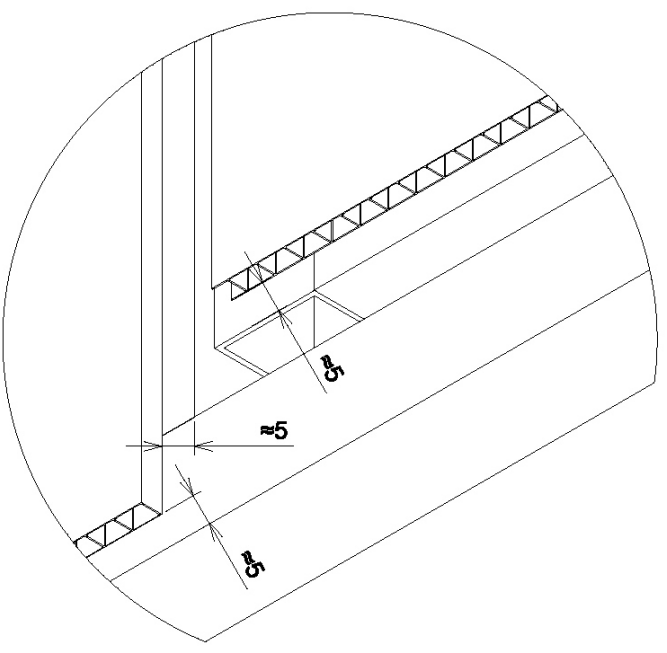
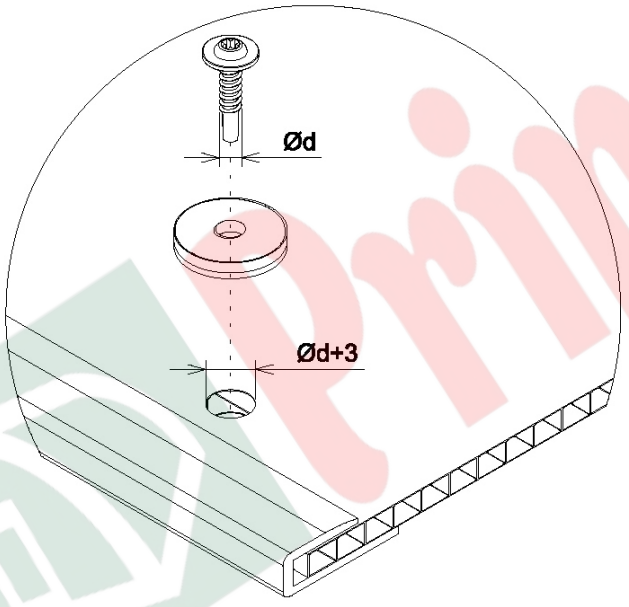
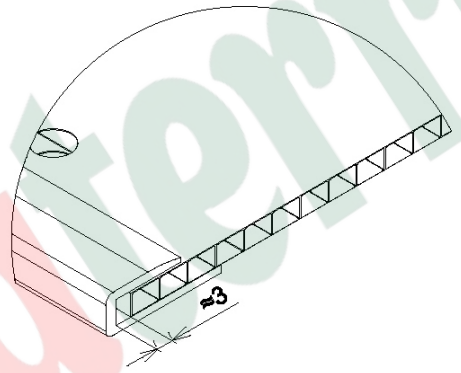
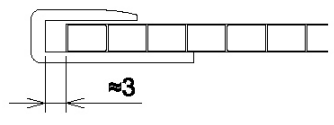
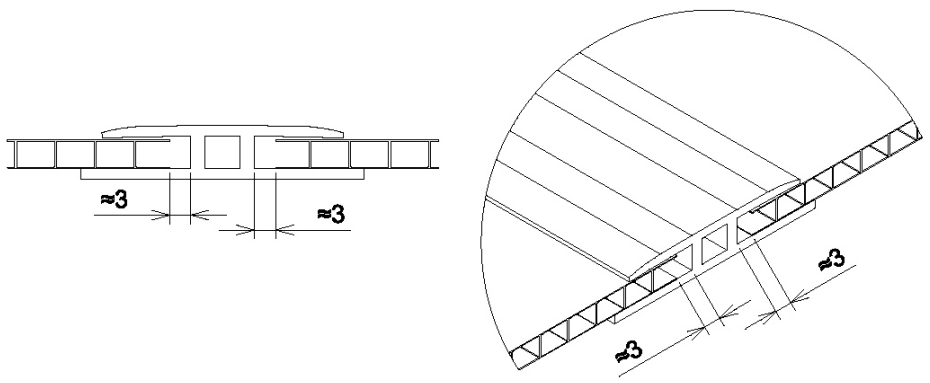


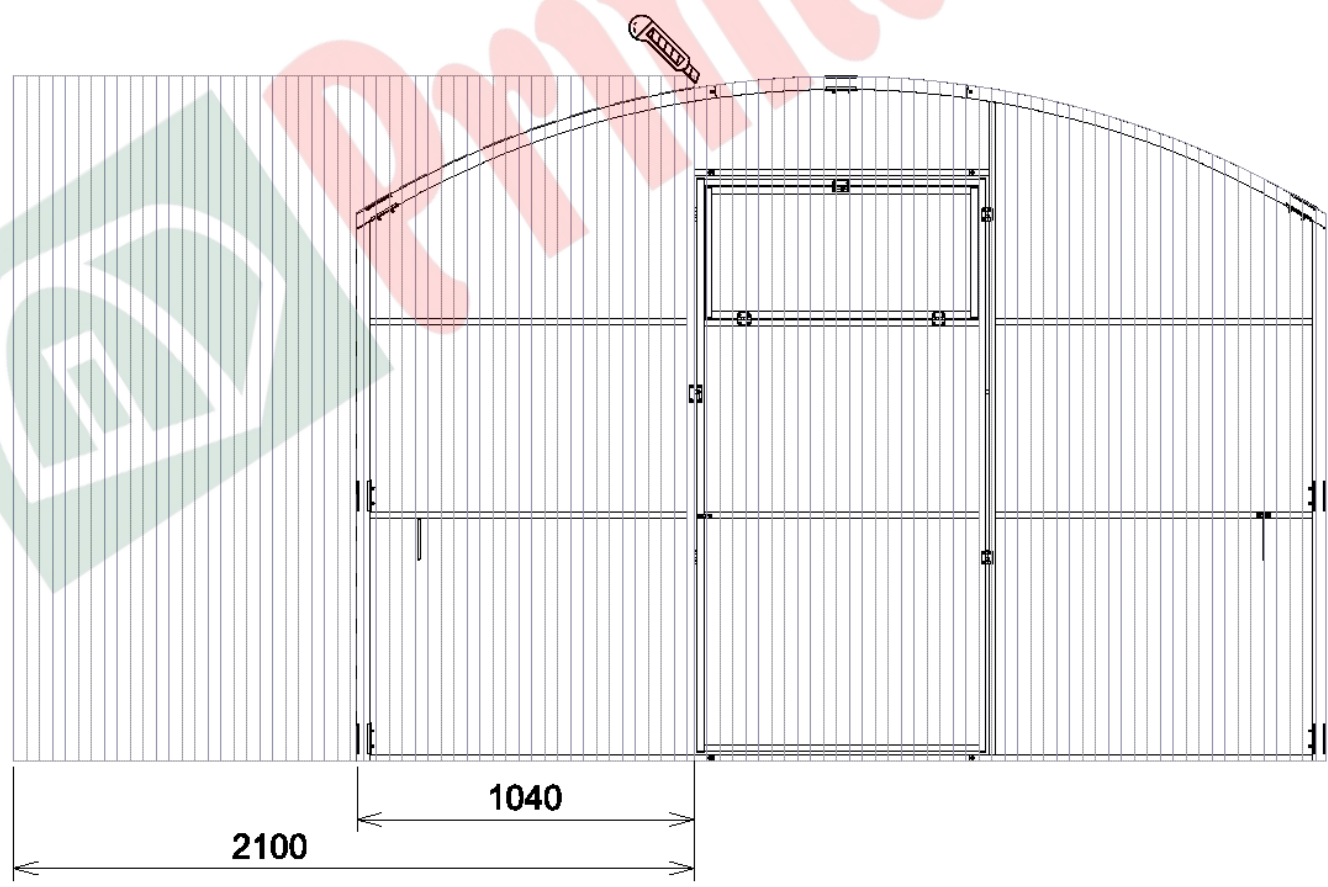
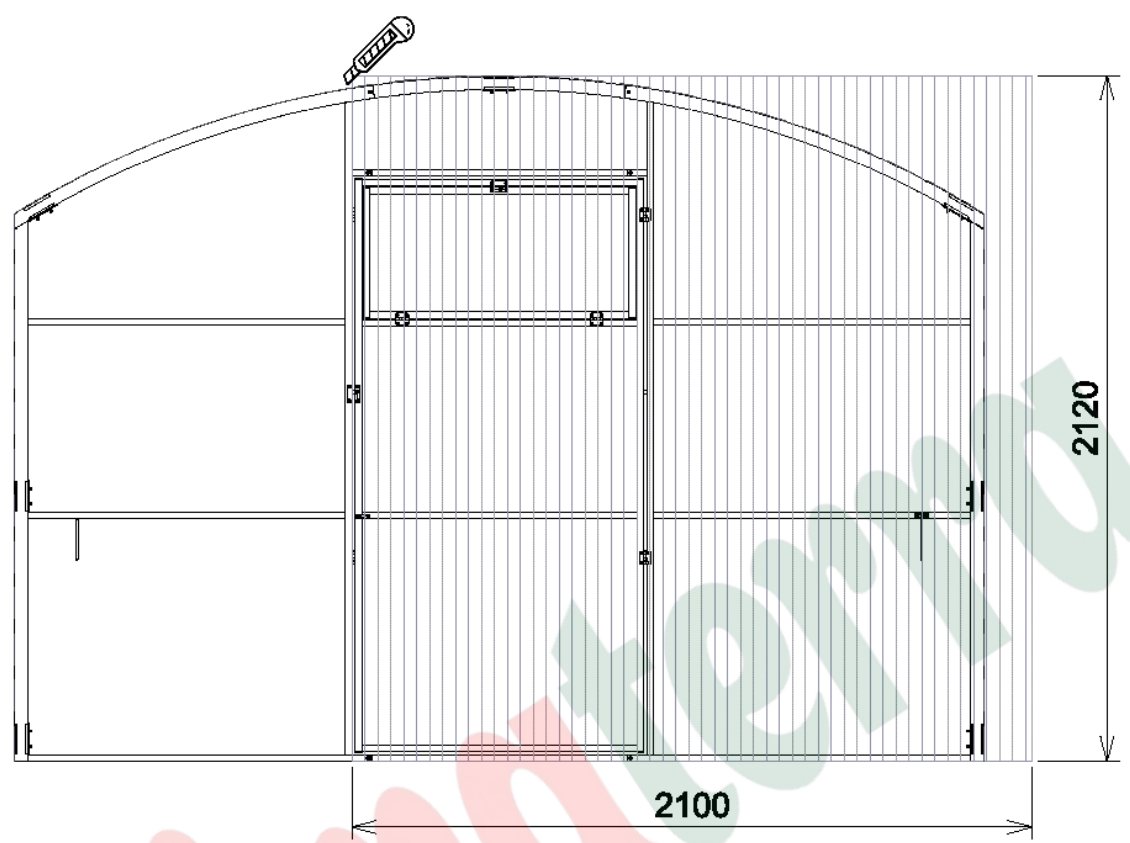
Q (1:8)

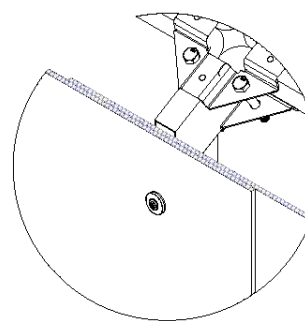
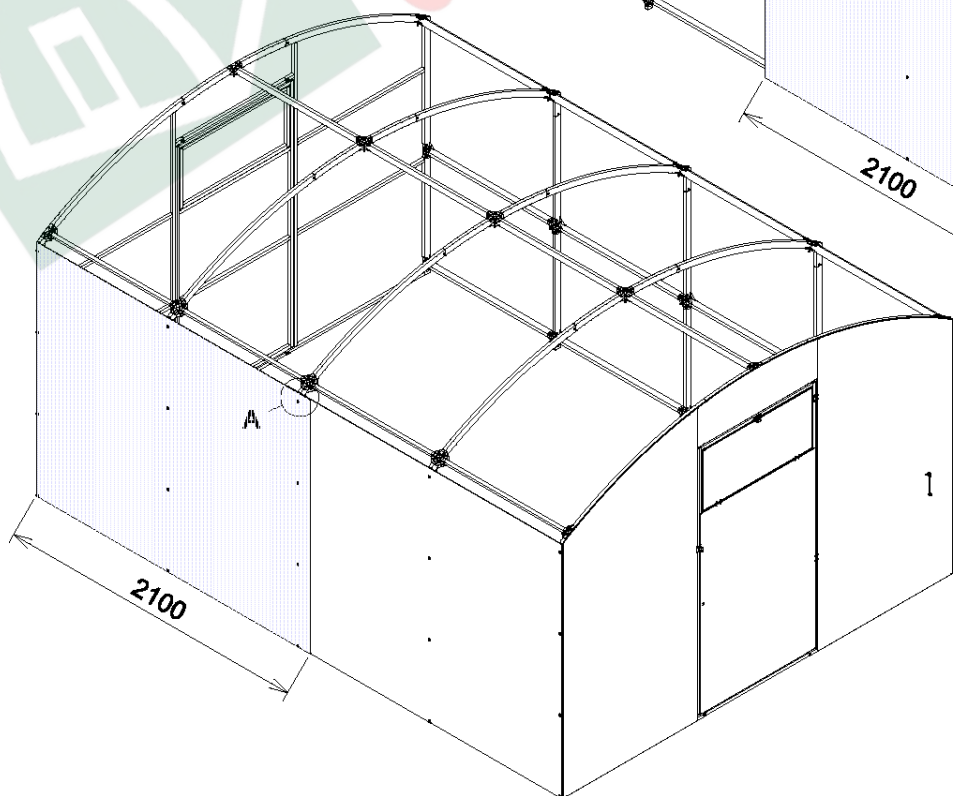
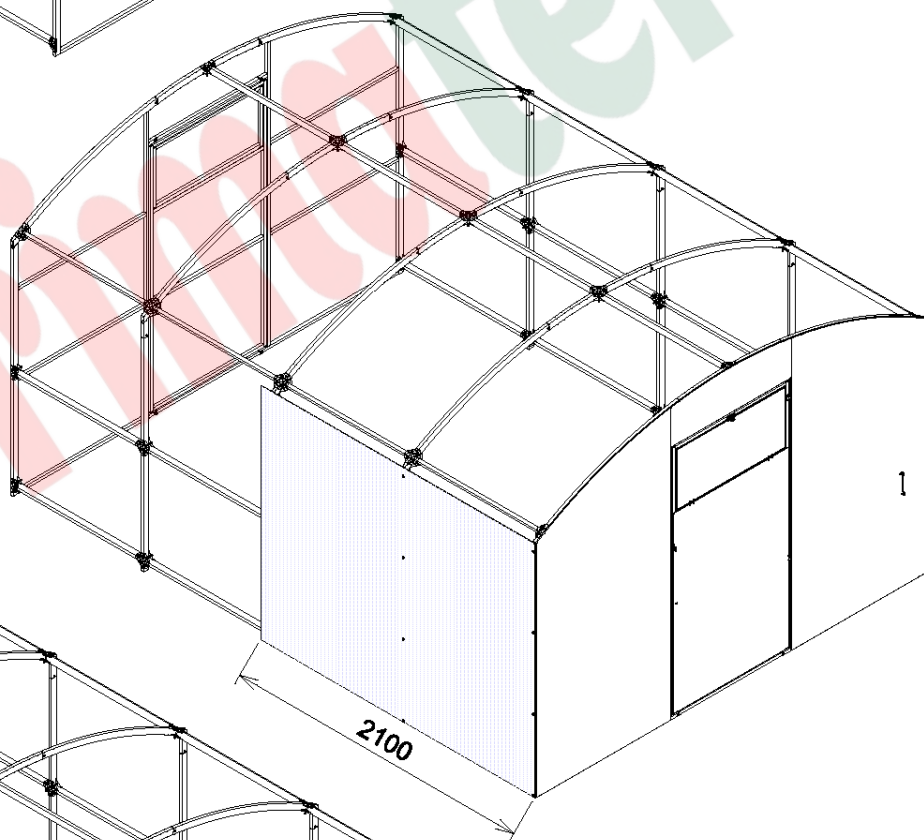
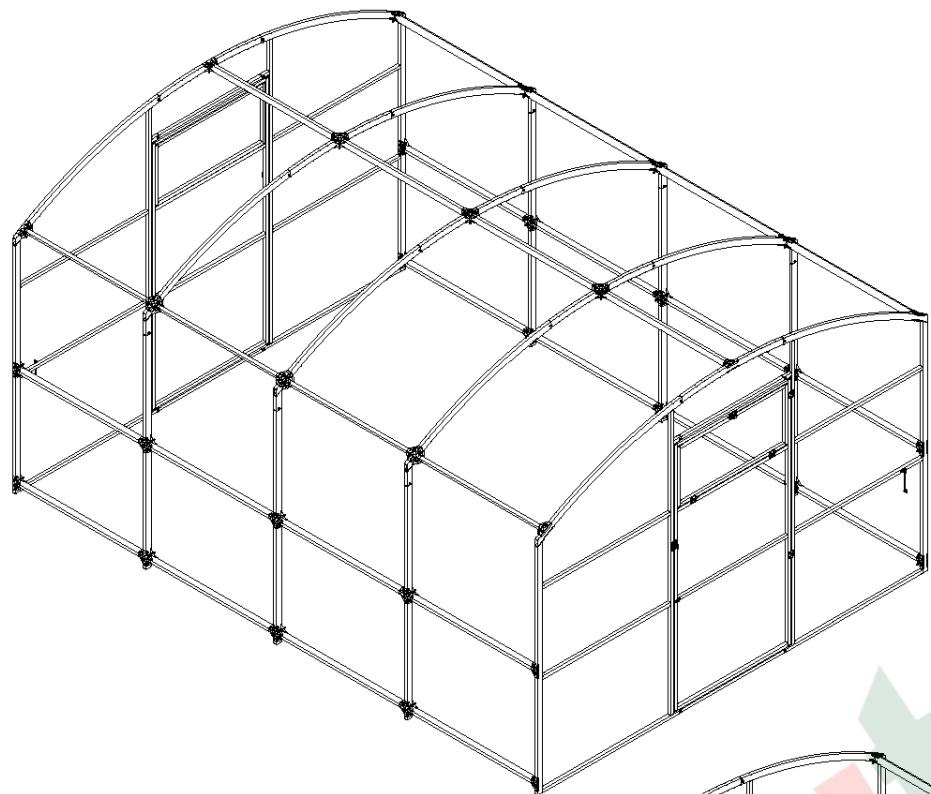
Printmaster



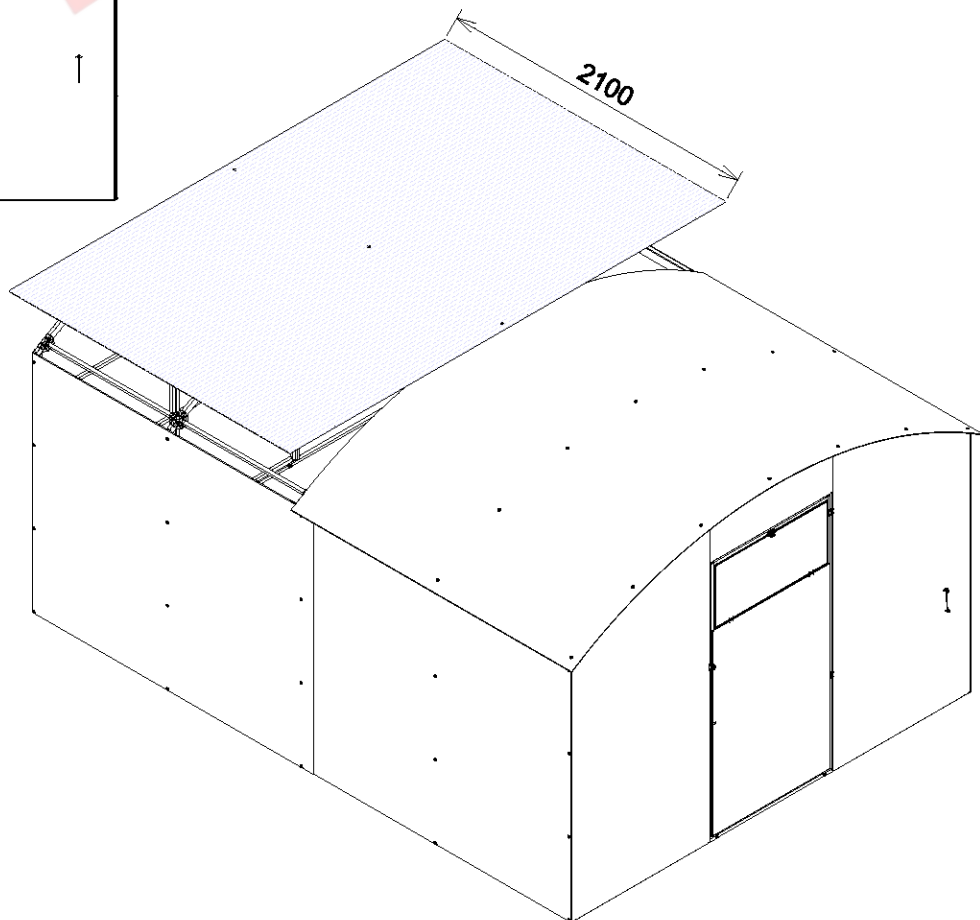
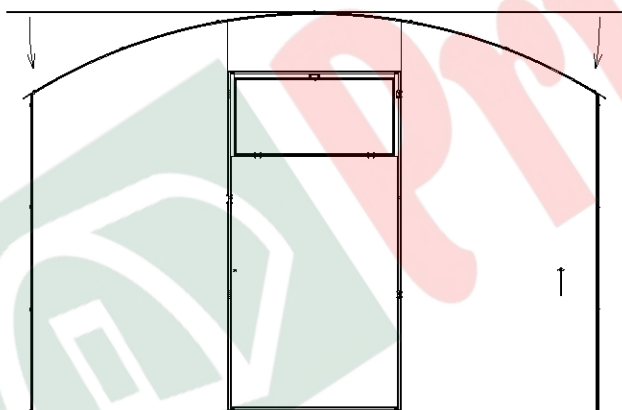
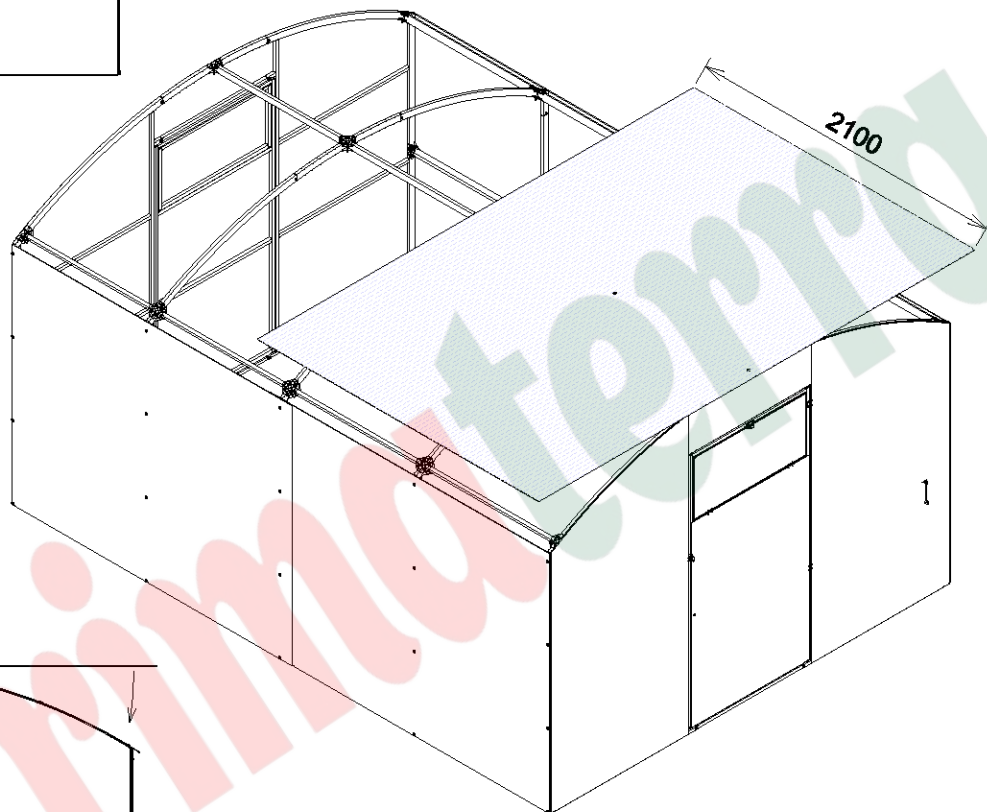
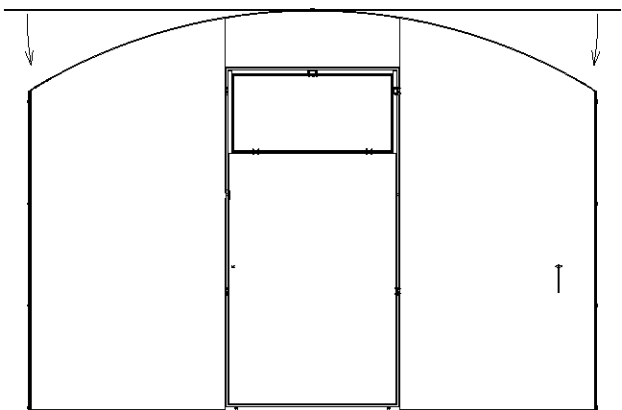


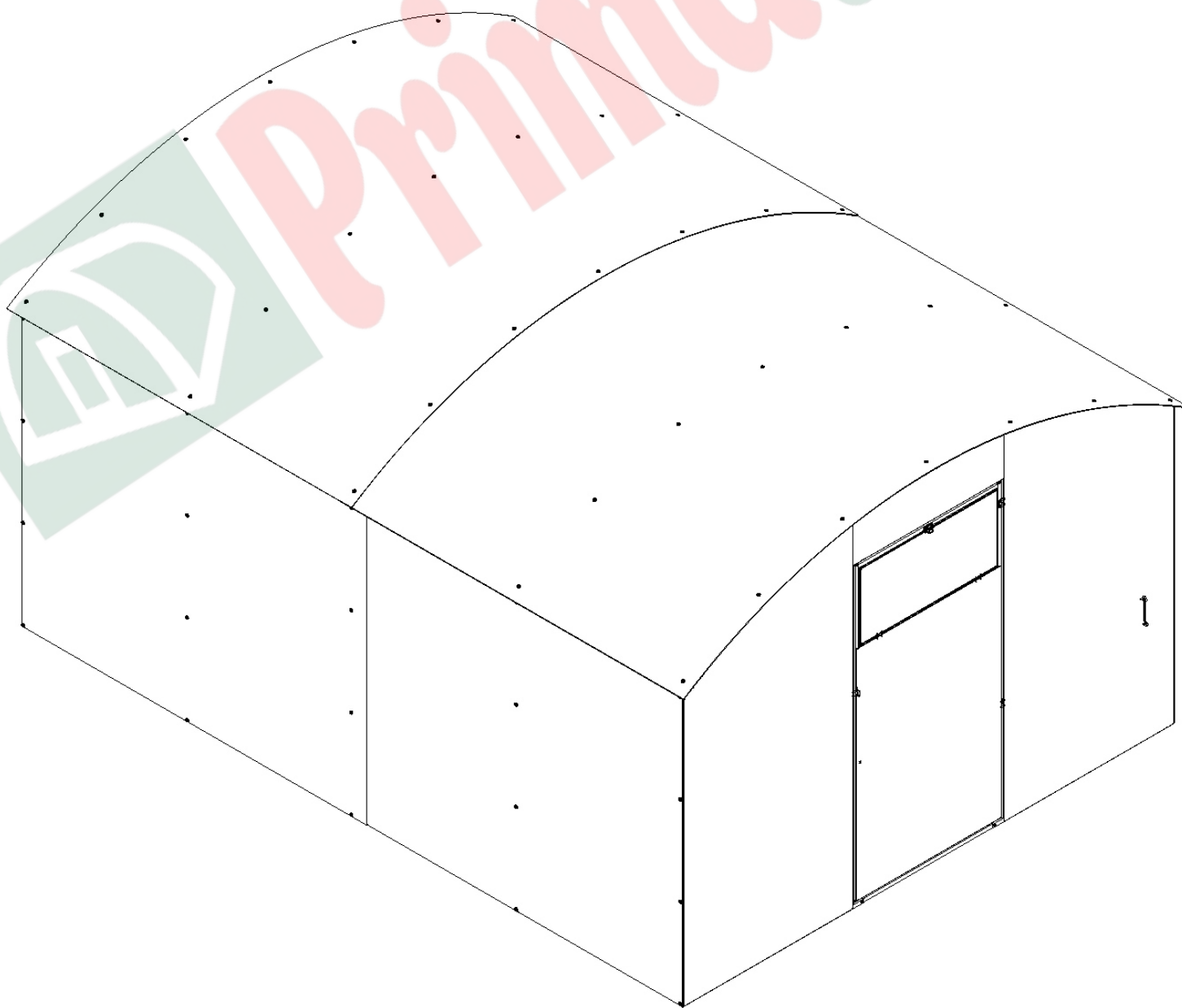
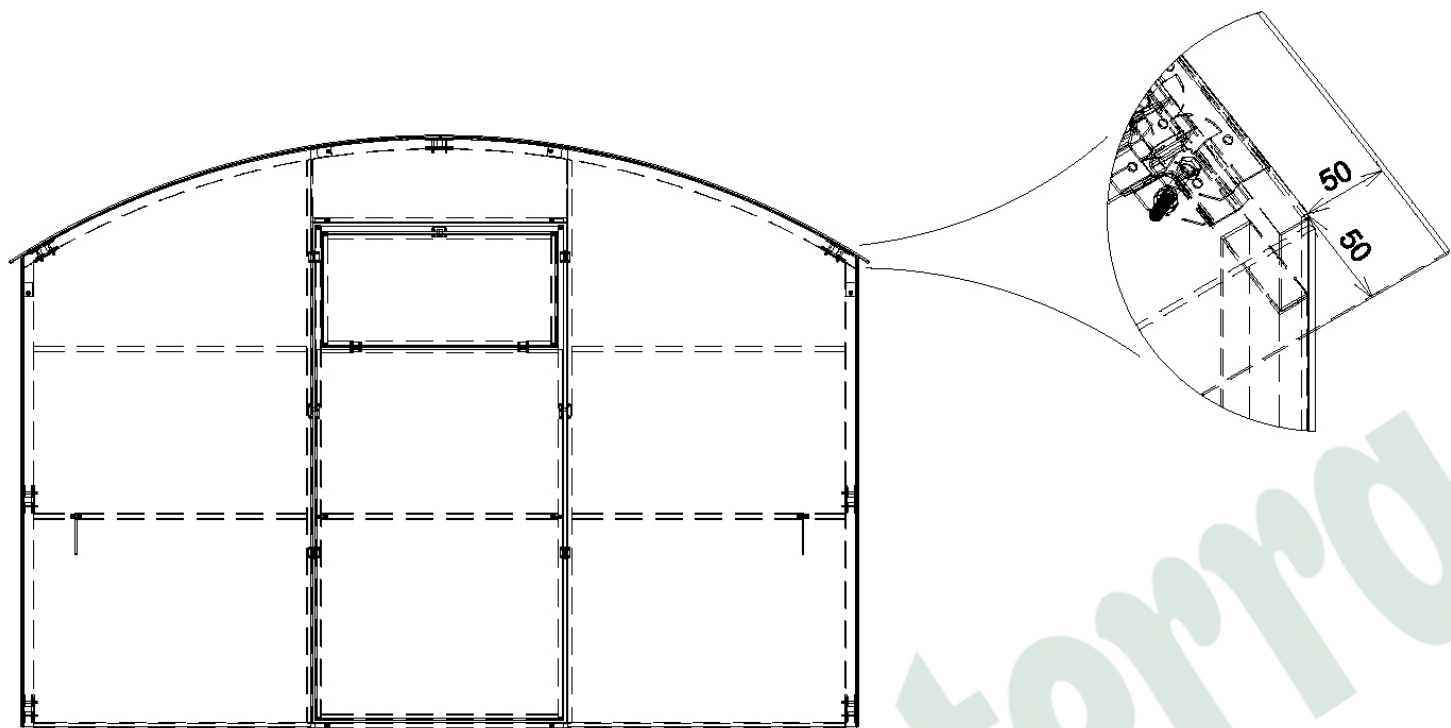






A (1:5)





Primate Terra